

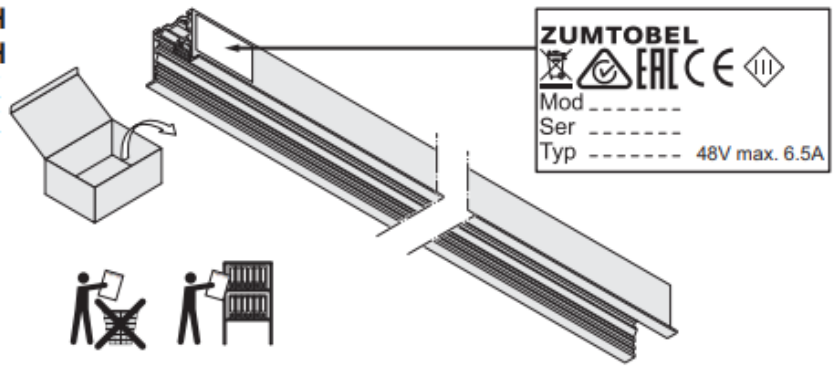
# SUP2 TRACK U SF

**Anleitung**  
 Gebrauch   
 Montage

**instruction**  
 for use   
 for mounting

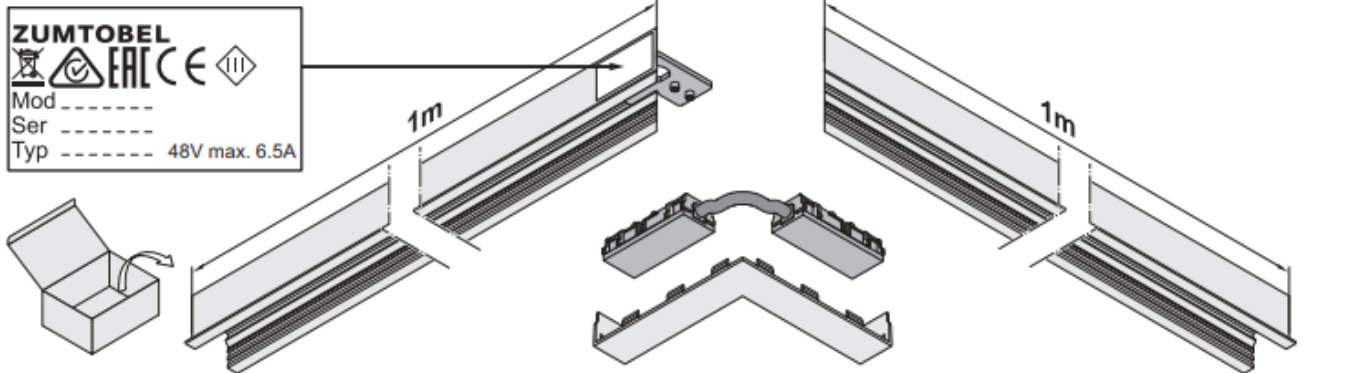


60210805 SUP2 TRACK U SF 2M WH  
 60210807 SUP2 TRACK U SF 4M WH  
 60210808 SUP2 TRACK U SF 2M BK  
 60210810 SUP2 TRACK U SF 4M BK

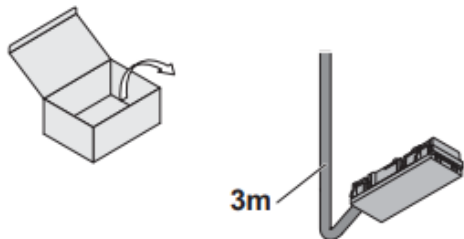


This class III (EU) track system (Class II in US) is not compatible with any track systems of other manufacturers! Contact US- manufacturer for more detail: [www.zumtobel.us](http://www.zumtobel.us)

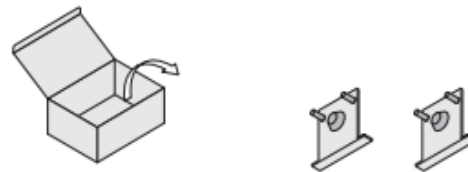
60210817 SUP2 TRACK U SF ELEC CON-H 48V 90° WH  
 60210818 SUP2 TRACK U SF ELEC CON-H 48V 90° BK



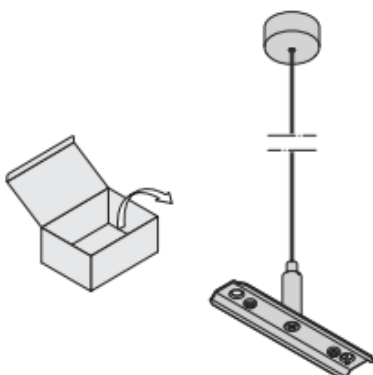
22169736 SUP2 ELECTRICAL FEED-IN CON 48V WH  
 22169737 SUP2 ELECTRICAL FEED-IN CON 48V BK



60210825 SUP2 TRACK U SF END PLATE WH  
 60210826 SUP2 TRACK U SF END PLATE BK



22169690 SUP2 TRACK U SUSPENSION KIT



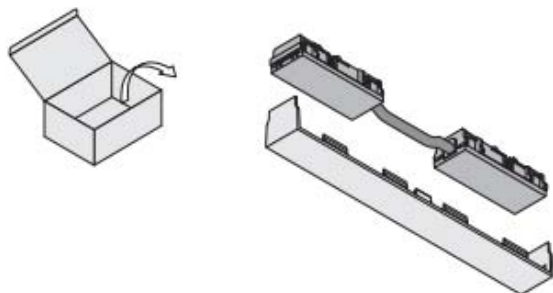
60210850 SUP2 MOUNTING PLATE ANGLE TRACK SF/TL



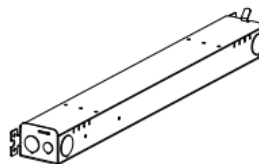
22169693 SUP2 TRACK U MECHANICAL CON BK  
 22169794 SUP2 TRACK U MECHANICAL CON WH



22169694  
 SUP2 TRACK ELECTRICAL CON 48V WH  
 22169695  
 SUP2 TRACK ELECTRICAL CON 48V BK

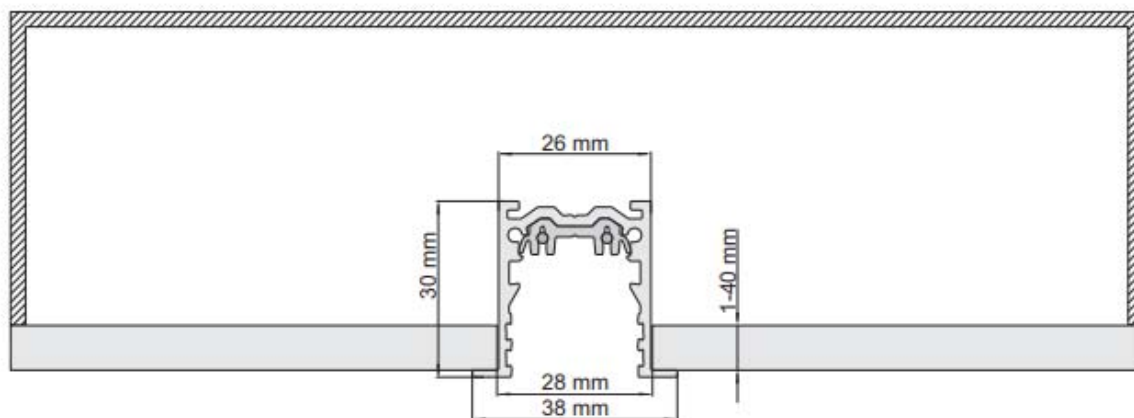


Remote driver box 96 W (AC DC  
 fix) 120V-277V AC  $\geq$  48V D C



Article no.:  
 11055060

i



**DE** Die Montage und Inbetriebnahme darf nur von autorisiertem Fachpersonal durchgeführt werden.

**NL** De montage en inbedrijfstelling mogen enkel door erkend vakpersoneel worden uitgevoerd.

**EN** Installation and commissioning may only be carried out by authorized specialists.

**SV** Monteringen och idrifttagandet får endast företas av auktoriserad fackpersonal.

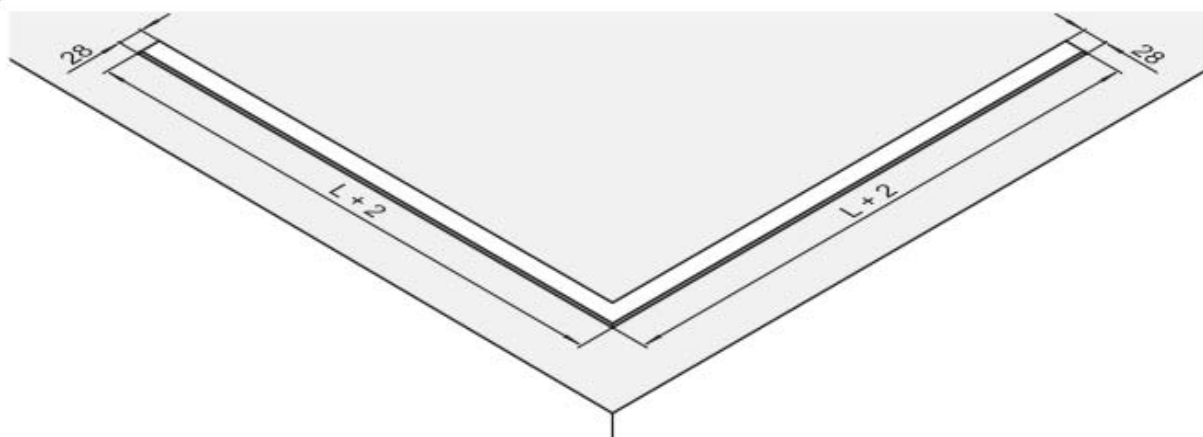
**FR** L'installation et la mise en service doivent obligatoirement être effectuées par des techniciens.

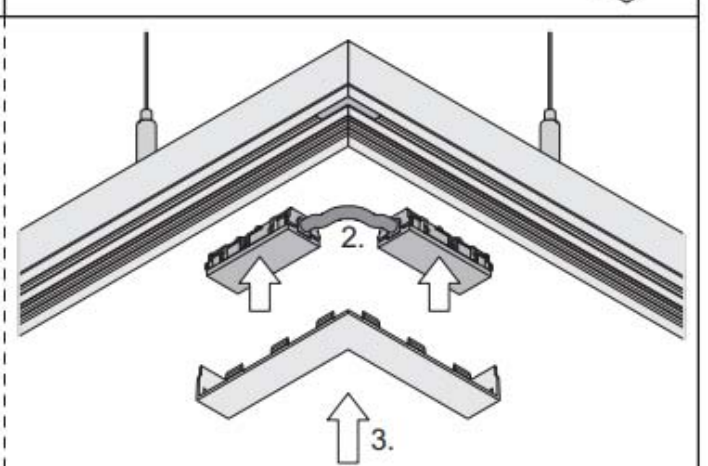
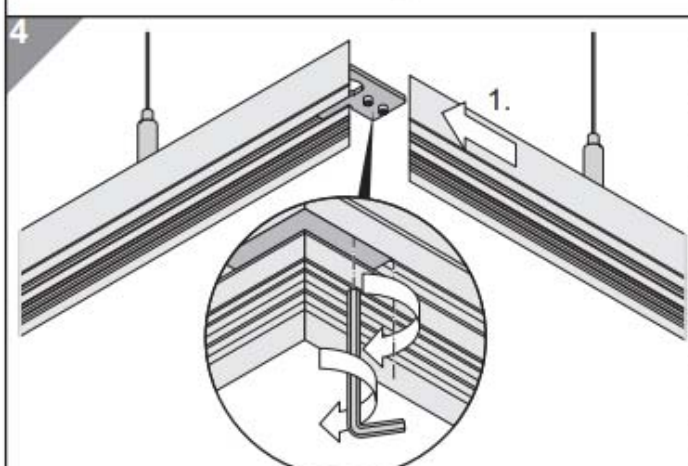
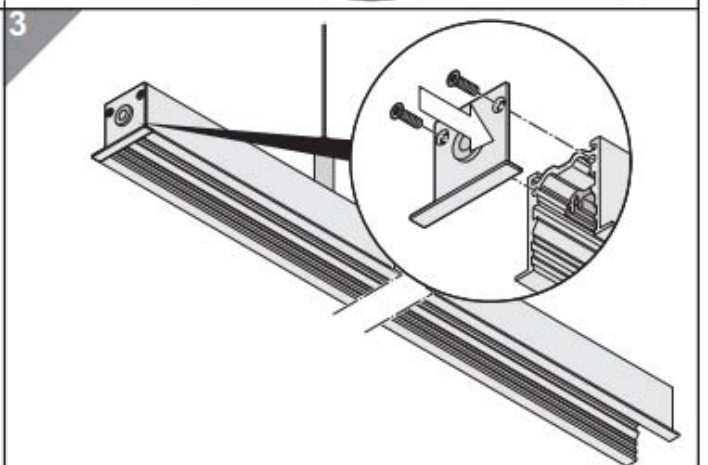
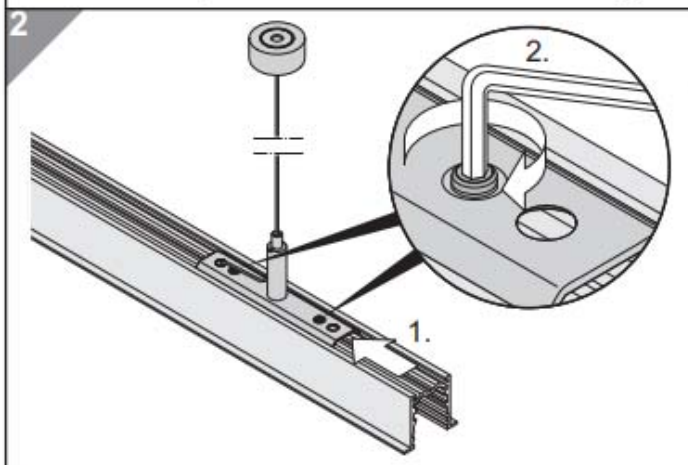
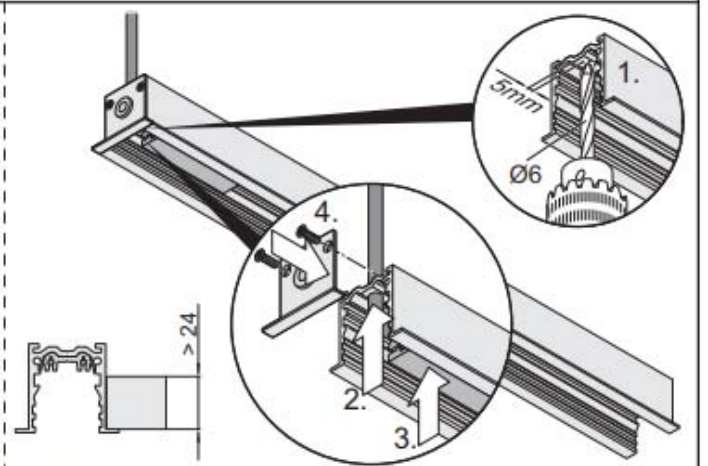
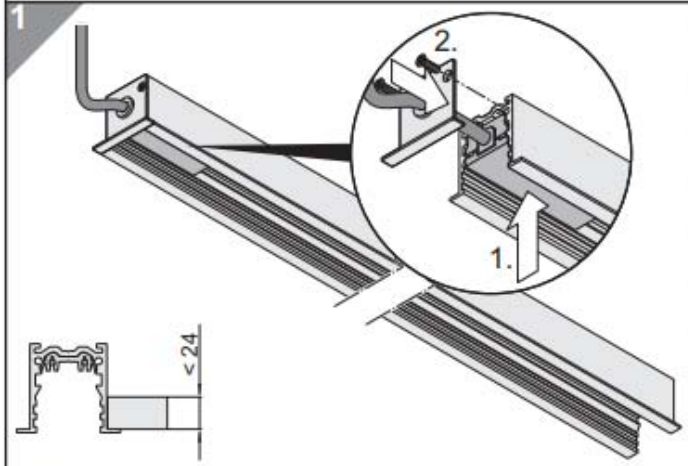
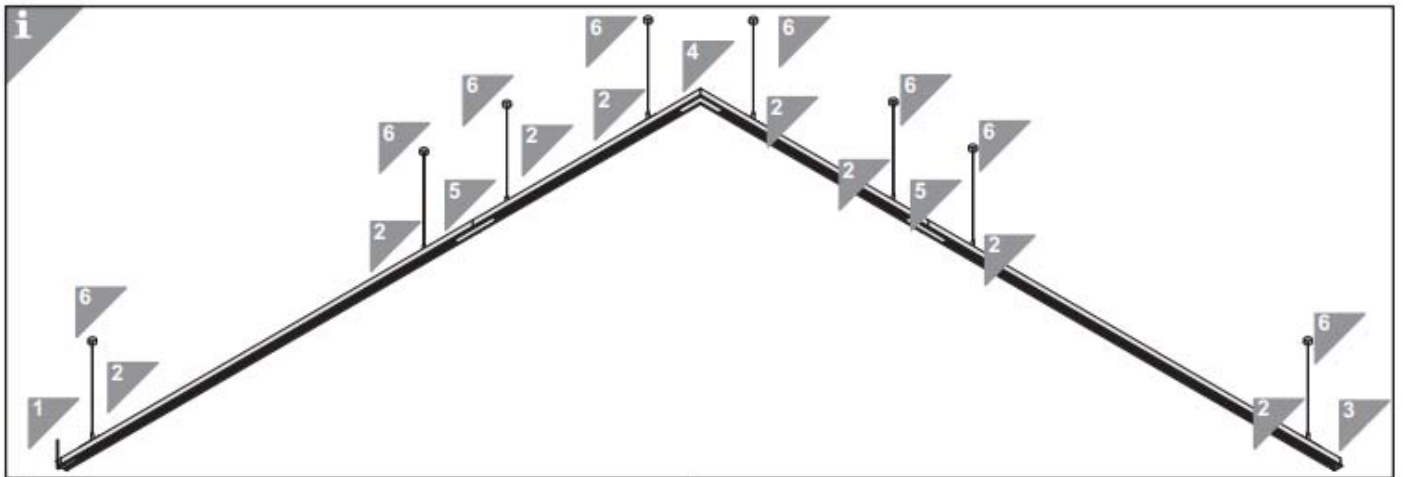
**FI** Asennuksen ja käyttöönoton saa tehdä vain auktorisoitu ammattihenkilöstö.

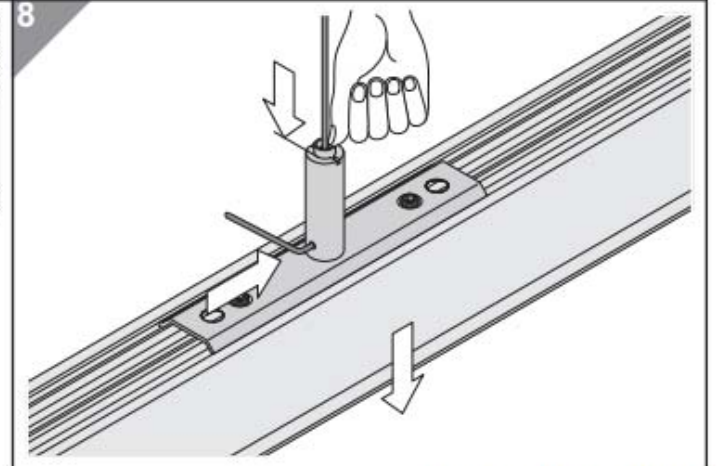
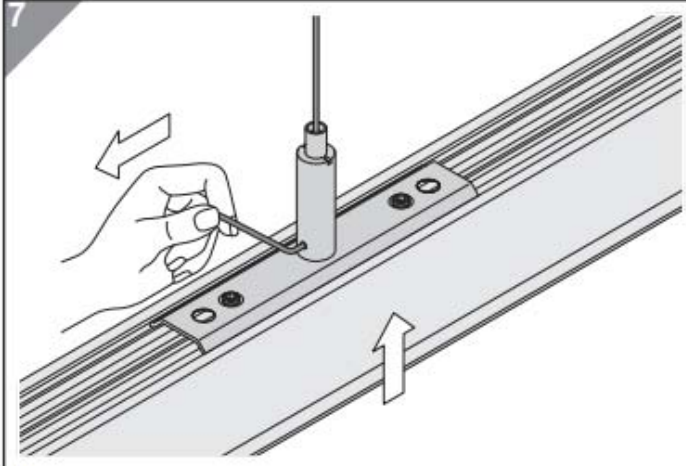
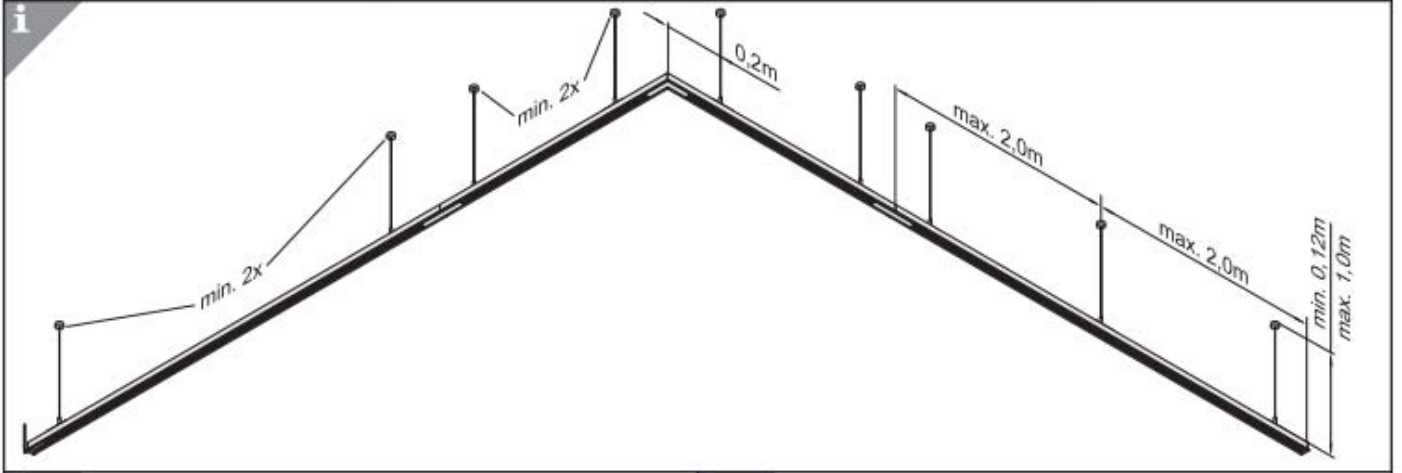
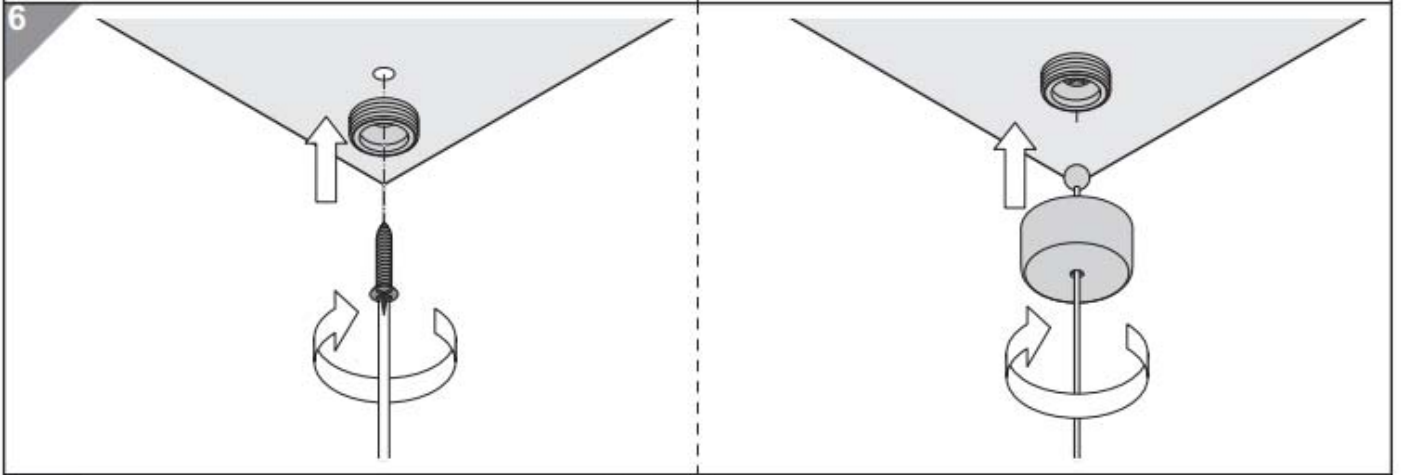
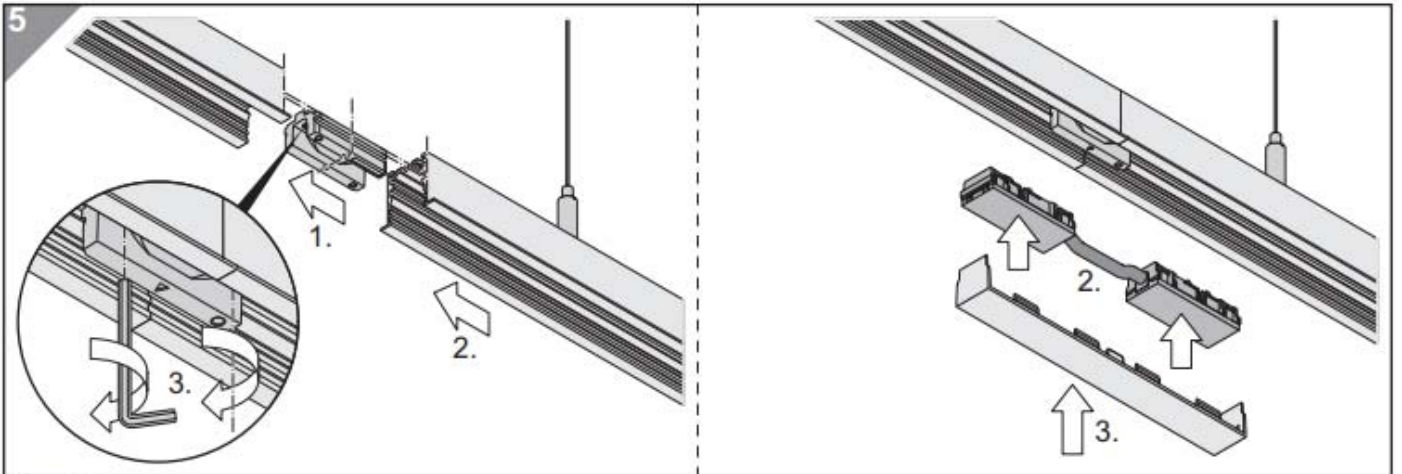
**IT** Montaggio ed avviamento devono essere eseguiti solo da personale specializzato.

**ES** El montaje y la puesta en marcha sólo puede ser realizado por personal especializado autorizado.

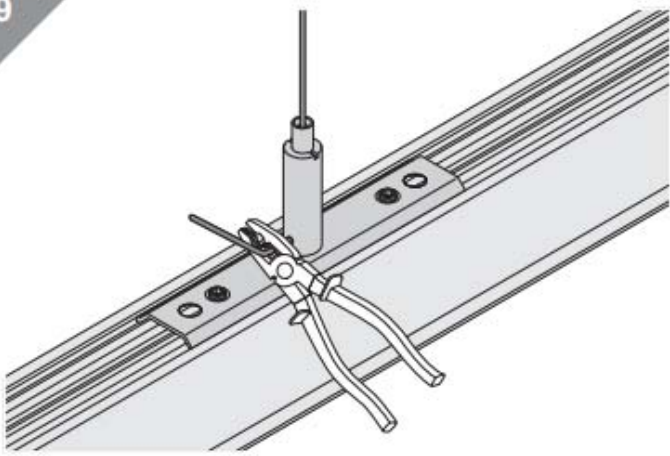
i



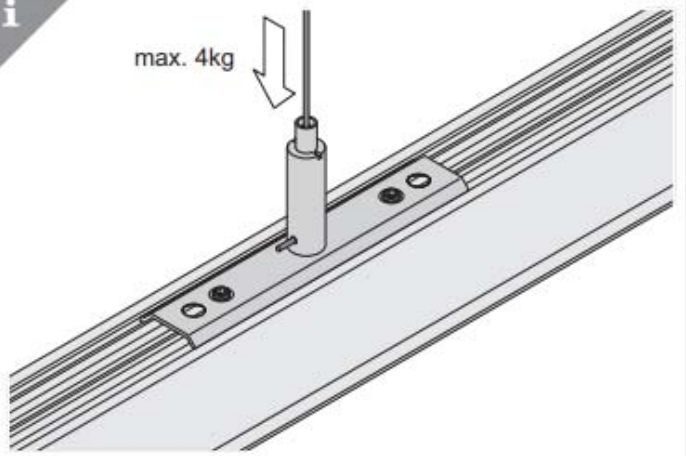




9



i



10

